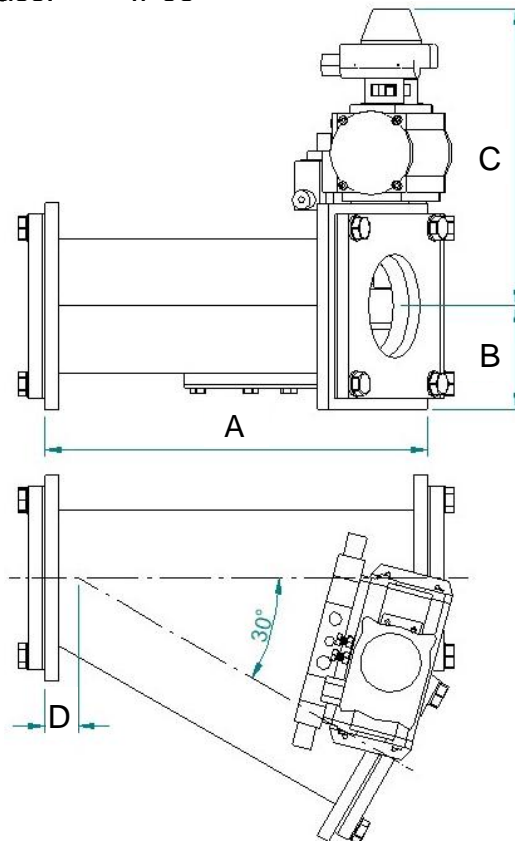


**Diverter valves DN50 – DN200**

Diverter valve for pneumatic conveying lines with heavy-duty construction for abrasive and challenging applications. Pneumatically operated by a bi-stable solenoid valve and actuator with a limit switch box on top. Diverted 30° to the right is standard, left turn on request. Manufactured in carbon steel as standard but can also be delivered in stainless steel on request. Delivered with welding flanges, gaskets and bolts.


**Technical conditions**

- Pressure: < 10 bar
- Temperature: < 120 °C
- Voltage: 24V/DC or 230V/AC
- Protection class: IP65



Size	A	B	C	D	Article number
DN50	325	90	320	29	A910201
DN65	325	90	320	29	A910202
DN80	325	90	320	29	A910203
DN100	425	115	330	34	A910204
DN125	425	115	330	34	A910205
DN150	535	125	365	53	A910206
DN200	590	150	420	-22	A910207