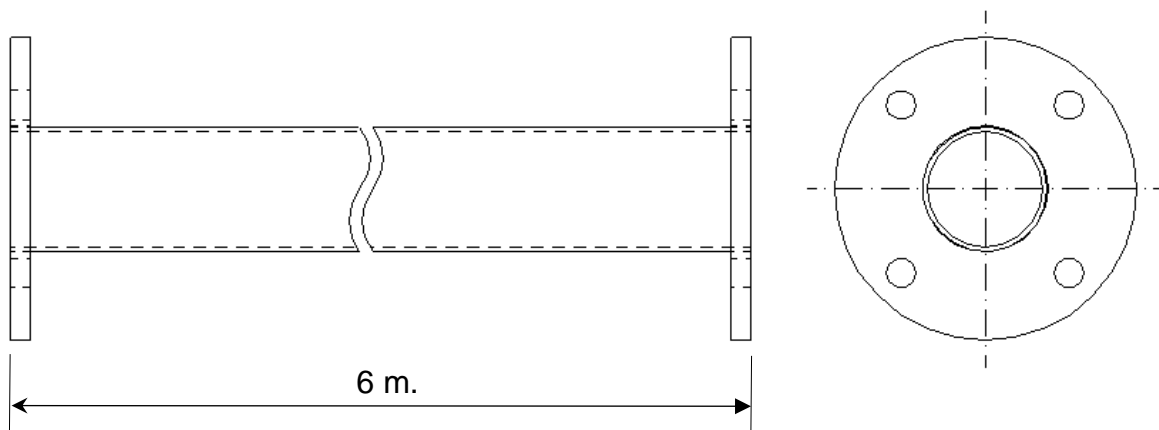


Transport pipe

Flanged steel pipe (PN10) delivered with standard painting program 120 μ .



Flange	Article number carbon steel	Article number Stainless steel	Article number HARDOX
DN32	A160101	A160111	A160121
DN40	A160102	A160112	A160122
DN50	A160103	A160113	A160123
DN65	A160104	A160114	A160124
DN80	A160105	A160115	A160125
DN100	A160106	A160116	A160126
DN125	A160107	A160117	A160127
DN150	A160108	A160118	A160128