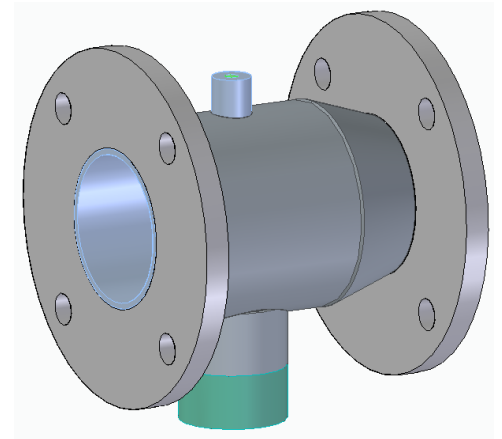
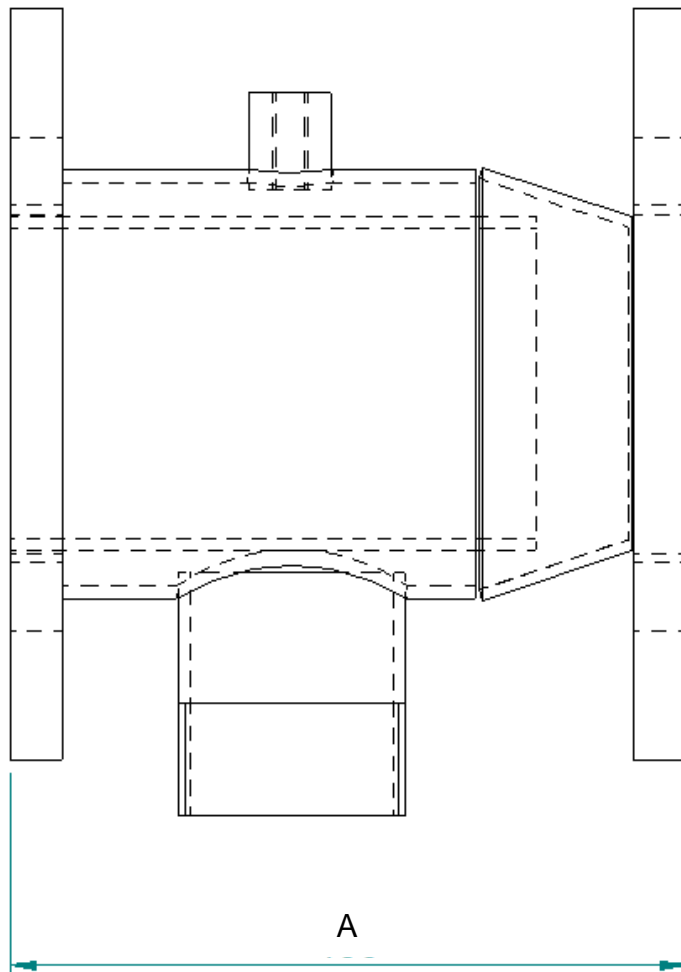


## Booster

The Booster with ejector effect is manufactured in carbon steel as standard. It is also available in stainless steel.

Standard dimensions with flanges DN50 - DN150 but can also be made in other dimensions on request.



Flange	Article number Carbon steel	Article number Stainless steel	A
DN50	A150101	A150111	170
DN65	A150102	A150112	170
DN80	A150103	A150113	180
DN100	A150104	A150114	180
DN125	A150105	A150116	200
DN150	A150106	A150117	220